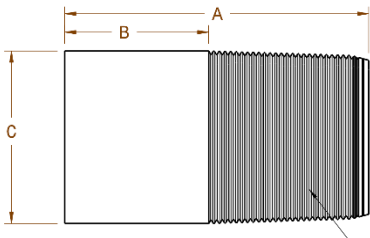
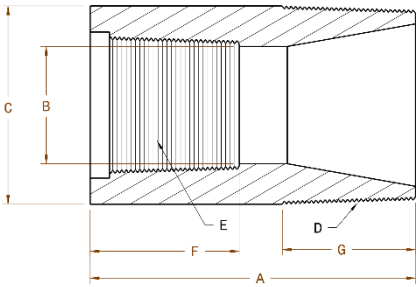


BULL PLUG



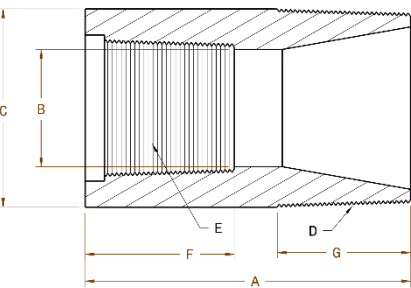
SIZE	A	B	C	RATING	WEIGHT
2"	6.00"	3.18"	2.65"	4000 PSI	1.7 LBS.
2 1/2"	6.00"	2.88"	3.10"	4000 PSI	2.0 LBS.
3"	6.00"	2.63"	3.80"	4000 PSI	2.6 LBS.
4"	6.00"	2.25"	4.80"	4000 PSI	3.1 LBS.
6"	6.00"	2.00"	7.10"	3000 PSI	6.7 LBS.

BUSHING 8RD X NPT



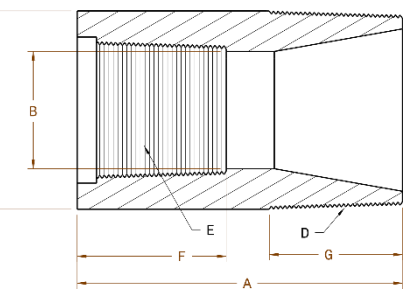
SIZE	A	B	C	D	E	F	G	RATING	WEIGHT
6"X4"	9.00"	4.00"	7.10"	8RD	NPT	2.375"	4.00"	1000 PSI	16.6 LBS.
4"x3"	8.00"	3.00"	4.80"	8RD	NPT	2.250"	3.75"	1000 PSI	6.0 LBS.
4"x2.5"	9.00"	2.43"	4.80"	8RD	NPT	2.250"	3.75"	1000 PSI	8.3 LBS.
4"x2"	9.00"	2.00"	4.80"	8RD	NPT	2.375"	3.75"	1000 PSI	9.2 LBS.
3"x2.5"	9.00"	2.43"	3.80"	8RD	NPT	2.250"	3.38"	1500 PSI	4.1 LBS.
3"x2"	9.00"	2.00"	3.80"	8RD	NPT	1.625"	3.38"	1500 PSI	5.0 LBS.

BUSHING 8RD



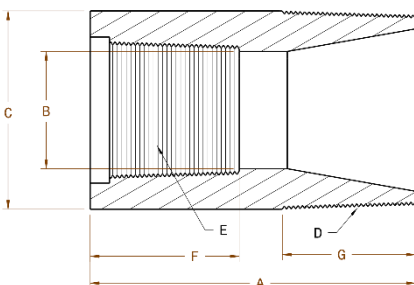
SIZE	A	B	C	D	E	F	G	RATING	WEIGHT
6"X4"	9.00"	4.00"	7.10"	8RD	8RD	4.00"	4.00"	2000 PSI	16.6 LBS.
4"x3"	8.00"	3.00"	4.80"	8RD	8RD	3.63"	3.75"	2500 PSI	6.0 LBS.
4"x2.5"	9.00"	2.43"	4.80"	8RD	8RD	3.38"	3.75"	2500 PSI	8.3 LBS.
4"x2"	9.00"	2.00"	4.80"	8RD	8RD	3.10"	3.75"	2500 PSI	9.2 LBS.
3"x2.5"	9.00"	2.43"	3.80"	8RD	8RD	3.38"	3.38"	2500 PSI	4.1 LBS.
3"x2"	9.00"	2.00"	3.80"	8RD	8RD	3.38"	3.38"	2500 PSI	5.0 LBS.

BUSHING NPT X 8RD



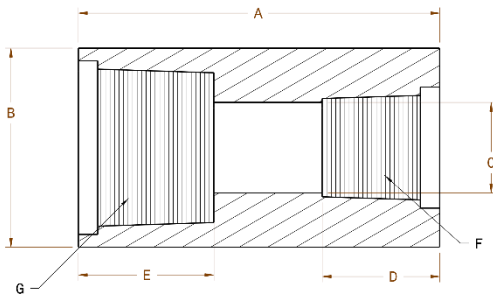
SIZE	A	B	C	D	E	F	G	RATING	WEIGHT
6"X4"	9.00"	4.00"	7.10"	NPT	8RD	4.00"	2.375"	1000 PSI	16.6 LBS.
4"x3"	8.00"	3.00"	4.80"	NPT	8RD	3.63"	2.250"	1000 PSI	6.0 LBS.
4"x2.5"	9.00"	2.43"	4.80"	NPT	8RD	3.38"	2.250"	1000 PSI	8.3 LBS.
4"x2"	9.00"	2.00"	4.80"	NPT	8RD	3.10"	2.375"	1000 PSI	9.2 LBS.
3"x2.5"	9.00"	2.43"	3.80"	NPT	8RD	3.38"	2.250"	1500 PSI	4.1 LBS.
3"x2"	9.00"	2.00"	3.80"	NPT	8RD	3.38"	1.625"	1500 PSI	5.0 LBS.

BUSHING NPT



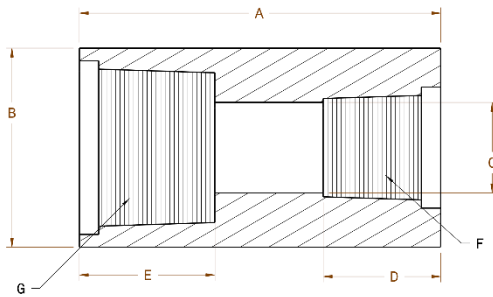
SIZE	A	B	C	D	E	F	G	RATING	WEIGHT
6"X4"	9.00"	4.00"	7.10"	NPT	NPT	2.375"	2.375"	1000 PSI	16.6 LBS.
4"x3"	8.00"	3.00"	4.80"	NPT	NPT	2.250"	2.250"	1000 PSI	6.0 LBS.
4"x2.5"	9.00"	2.43"	4.80"	NPT	NPT	2.250"	2.250"	1000 PSI	8.3 LBS.
4"x2"	9.00"	2.00"	4.80"	NPT	NPT	2.375"	2.375"	1000 PSI	9.2 LBS.
3"x2.5"	9.00"	2.43"	3.80"	NPT	NPT	2.250"	2.250"	1500 PSI	4.1 LBS.
3"x2"	9.00"	2.00"	3.80"	NPT	NPT	1.625"	1.625"	1500 PSI	5.0 LBS.

CHANGEOVER COUPLING (THREADED)



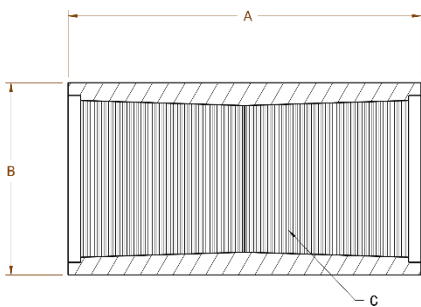
SIZE	A	B	C	D	E	F	G	RATING	WT
2"	5.00"	3.250"	2.000"	1.625"	3.063"	NPT	8RD	2000 PSI	1.7 LBS
2 1/2"	6.00"	3.800"	2.430"	2.250"	3.375"	NPT	8RD	2000 PSI	2.7 LBS.
3"	6.50"	4.750"	3.000"	2.250"	3.625"	NPT	8RD	1500 PSI	4.7 LBS.
4"	7.00"	5.750"	4.000"	2.375"	4.000"	NPT	8RD	1000 PSI	6.4 LBS.
6"	7.50"	8.200"	5.900"	2.500"	4.375"	NPT	2 TPI	1000 PSI	13.0 LBS

REDUCING COUPLING (THREADED)



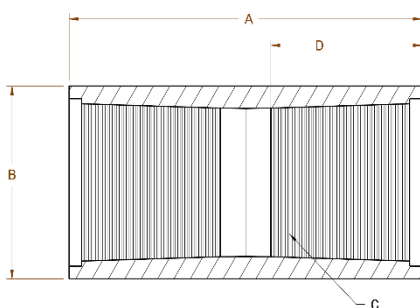
SIZE	A	B	C	D	E	F	G	RATING	WT/LBS
2 1/2"x2"	6.50"	3.80"	2.00"	3.10"	3.38"	2 3/8"8rd	2 7/8"8rd	2500 PSI	4.5
3"x2"	6.75"	4.75"	2.00"	3.10"	3.63"	2 3/8"8rd	3 1/2"8rd	2500 PSI	4.8
3"x2 1/2"	7.13"	4.75"	2.43"	3.38"	3.75"	2 7/8"8rd	3 1/2"8rd	2500 PSI	5.3
4"x3"	7.75"	5.75"	3.00"	3.63"	4.00"	3 1/2"8rd	4 1/2"8rd	2500 PSI	6.4

THREAD COUPLING



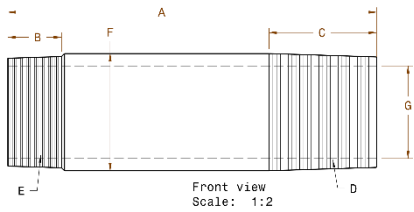
SIZE	A	B	C	RATING	WEIGHT
2"	6.88"	3.25"	*2 3/8" EUE 8RD	2500 PSI	2.0 LBS
2 1/2"	7.38"	3.80"	*2 7/8" EUE 8RD	2500 PSI	2.7 LBS
3"	7.88"	4.75"	*3 1/2" EUE 8RD	2500 PSI	4.8 LBS
4"	8.38"	5.75"	*4 1/2" EUE 8RD	2500 PSI	6.3 LBS
6"	9.00"	8.20"	6" 2 TPI (FAST THRD)	2500 PSI	11.7 LBS

COUPLING NPT

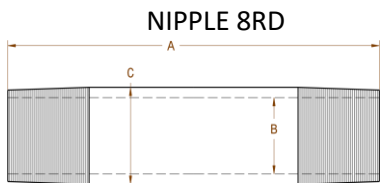


SIZE	A	B	C	RATING	WEIGHT
2"	6.00"	2.65"	NPT	2000 PSI	1.0 LBS.
2 1/2"	6.00"	3.12"	NPT	2000 PSI	1.2 LBS.
3"	6.00"	3.80"	NPT	1500 PSI	1.7 LBS.
4"	6.00"	4.80"	NPT	1000 PSI	2.2 LBS.
6"	7.00"	7.10"	NPT	1000 PSI	5.8 LBS.

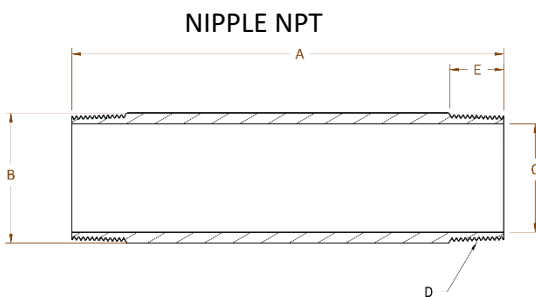
CHANGEOVER NIPPLE 8RD X NPT



SIZE	A	B	C	D	E	F	G	RATING	WT/IN.
2"	6" – 18"	1.375"	2.813"	8RD	NPT	2.65"	2.00"	2000 PSI	.16 LBS.
2 1/2"	6" – 18"	2.000"	3.125"	8RD	NPT	3.12"	2.43"	2000 PSI	.20 LBS.
3"	6" – 18"	2.000"	3.375"	8RD	NPT	3.80"	3.00"	1500 PSI	.29 LBS.
4"	6" – 18"	2.125"	3.750"	8RD	NPT	4.80"	4.00"	1000 PSI	.37 LBS.
6"	8" – 18"	2.250"	4.000"	2TPI	NPT	7.10"	5.90"	1000 PSI	.84 LBS.

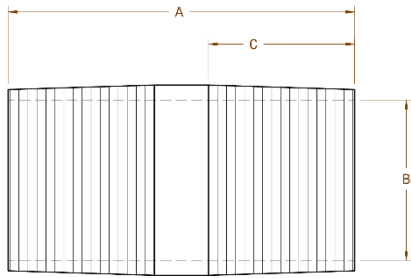


SIZE	A	B	C	RATING	WEIGHT/ IN.
2 3/8" 8RD	8" – 15'	2.00"	2.65"	2500 PSI	.16 LBS.
2 7/8" 8RD	8" – 15'	2.43"	3.13"	2500 PSI	.20 LBS.
3 1/2" 8RD	8" – 15'	3.00"	4.80"	2500 PSI	.29 LBS.
4 1/2" 8RD	8" – 15'	4.00"	5.80"	2500 PSI	.37 LBS.
6" 2TPI	10" – 15'	5.90"	7.10"	2000 PSI	.84 LBS.



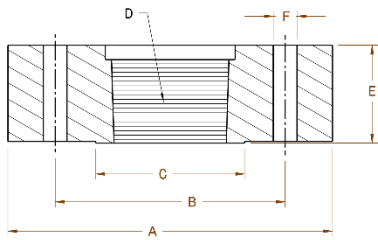
SIZE	A	B	C	D	E	RATING	WEIGHT/ IN.
2"	6" – 18"	2.650	2.00"	NPT	1.375"	2000 PSI	.16 LBS.
2 1/2"	6" – 18"	3.10"	2.43"	NPT	2.000"	2000 PSI	.20 LBS.
3"	6" – 18"	3.80"	3.00"	NPT	2.000"	1500 PSI	.29 LBS.
4"	6" – 18"	4.80"	4.00"	NPT	2.125"	1000 PSI	.37 LBS.
6"	8" – 18"	7.10"	5.90"	NPT	2.250"	1000 PSI	.84 LBS.

FACT CLOSE NIIPPLE 8RD



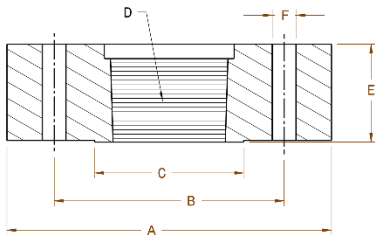
SIZE	A	B	C	THREAD	WEIGHT/IN.
2"	5.625"	2.00"	2.813"	8RD	.16 LBS.
2 1/2"	6.250"	2.43"	3.125"	8RD	.20 LBS.
3"	6.750"	3.00"	3.375"	8RD	.29 LBS.
4"	7.500"	4.00"	3.750"	8RD	.37 LBS.
6"	8.000"	5.90"	4.000"	2TPI	.84 LBS.

FLANGE ANSI 150



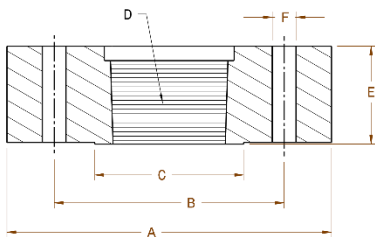
SIZE	A	B	C	D	E	F	WT.
2"	6.00"	4.75"	NA	8RD	3.10"	4-3/4"	5.1 LBS.
2 1/2"	7.00"	5.50"	NA	8RD	3.38"	4-3/4"	7.5 LBS.
3"	7.50"	6.00"	NA	8RD	3.63"	4 3/4"	8.7 LBS.
4"	9.00"	7.50"	NA	8RD	4.00"	8-3/4"	13.3 LBS.
6"	11.00"	9.50"	NA	8RD	4.38"	8-7/8"	18.7 LBS.

FLANGE ANSI 300



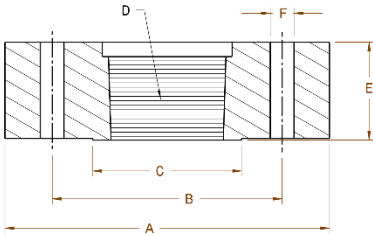
SIZE	A	B	C	D	E	F	WT.
2"	6.88"	5.00"	NA	8RD	3.10"	8-3/4"	7.0 LBS.
2 1/2"	7.88"	5.88"	NA	8RD	3.38"	8-7/8"	9.9 LBS.
3"	8.63"	6.63"	NA	8RD	3.63"	8-7/8"	12.3 LBS.
4"	10.38"	7.88"	NA	8RD	4.00"	8-1"	19.1 LBS.
6"	12.88"	10.63"	NA	8RD	4.38"	12-7/8"	29.3 LBS.

FLANGE ANSI 600



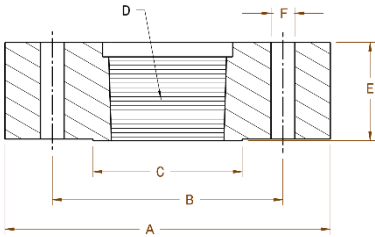
SIZE	A	B	C	D	E	F	WT.
2"	6.88"	5.00"	3.63"	8RD	3.10"	8-3/4"	7.0 LBS.
2 1/2"	7.88"	5.88"	4.13"	8RD	3.38"	8-7/8"	9.9 LBS.
3"	8.63"	8.50"	5.00"	8RD	3.63"	8-7/8"	12.3 LBS.
4"	11.18"	7.88"	6.19"	8RD	4.00"	8-1"	22.6 LBS.
6"	14.38"	11.50"	8.50"	8RD	4.38"	12- 1 1/8"	38.9 LBS.

FLANGE ANSI 900



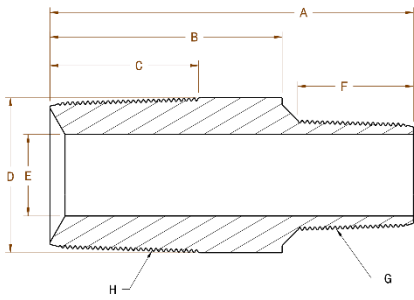
SIZE	A	B	C	D	E	F	WT.
2"	8.75"	6.50"	3.63"	8RD	3.10"	8-1"	12.4 LBS.
2 1/2"	9.63"	7.50"	4.13"	8RD	3.38"	8-1 1/8"	16.0 LBS.
3"	9.88"	7.50"	5.00"	8RD	3.63"	8-1"	116.8LBS.
4"	11.88"	9.25"	6.19"	8RD	4.00"	8-1 1/4"	28.0LBS.
6"	15.38"	12.50"	8.50"	8RD	4.38"	12-1 1/4"	46.0LBS.

FLANGE ANSI 1500



SIZE	A	B	C	D	E	F	WT.
2"	8.75"	6.50"	3.63"	8RD	3.10"	8-1"	11.9 LBS.
2 1/2"	9.63"	7.50"	4.13"	8RD	3.38"	8-1 1/8"	15.5 LBS.
3"	10.50"	8.00"	5.00"	8RD	3.63"	8-1 1/4"	19.3 LBS.
4"	12.25"	9.50"	6.19"	8RD	4.00"	8-1 3/8"	28.2 LBS.
6"	15.75"	12.50"	8.50"	8RD	4.38"	12-1 1/2"	48.7 LBS.

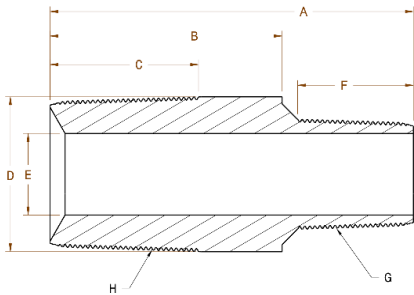
SWAGE 8RD X NPT



SIZE	A	B	C	D	E	F	G	H	RATING	WT
*6"x4"	11.00"	NA	4.00"	7.10"	4.00"	1.38"	NPT	8RD	1000 PSI	16.4 lbs.
4"x3"	9.00"	NA	3.75"	4.80"	3.00"	2.00"	NPT	8RD	1500 PSI	5.6 lbs.
4"x2.5"	9.00"	NA	3.75"	4.80"	2.43"	2.00"	NPT	8RD	1500 PSI	6.5 lbs.
4"x2"	9.00"	NA	3.75"	4.80"	2.00"	1.38"	NPT	8RD	2000 PSI	7.6 lbs.
3"x2.5"	9.00"	NA	3.38"	3.80"	2.43"	2.00"	NPT	8RD	1500 PSI	3.5 lbs.
3"x2"	9.00"	NA	3.38"	3.80"	2.00"	1.38"	NPT	8RD	2000 PSI	4.4 lbs.
2.5" X 2"	9.00"	NA	3.13"	3.12"	2.00"	1.38"	NPT	8RD	2000 PSI	2.6 lbs.

*7" LF CASING THREAD

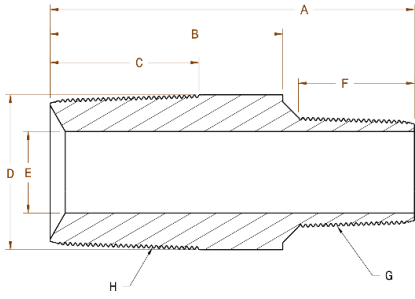
SWAGE 8RD



SIZE	A	B	C	D	E	F	G	H	RATING	WT
*6"x4"	11.00"	NA	4.00"	7.10"	4.00"	3.75"	8RD	8RD	2000 PSI	16.4 lbs.
4"x3"	9.00"	NA	3.75"	4.80"	3.00"	3.38"	8RD	8RD	2500 PSI	5.6 lbs.
4"x2.5"	9.00"	NA	3.75"	4.80"	2.43"	3.13"	8RD	8RD	2500 PSI	6.5 lbs.
4"x2"	9.00"	NA	3.75"	4.80"	2.00"	2.81"	8RD	8RD	2500 PSI	7.6 lbs.
3"x2.5"	9.00"	NA	3.38"	3.80"	2.43"	3.13"	8RD	8RD	2500 PSI	3.5 lbs.
3"x2"	9.00"	NA	3.38"	3.80"	2.00"	2.81"	8RD	8RD	2500 PSI	4.4 lbs.
2.5"x2"	9.00"	NA	3.13"	3.12"	2.00"	2.81"	8RD	8RD	2500 PSI	2.3 lbs.

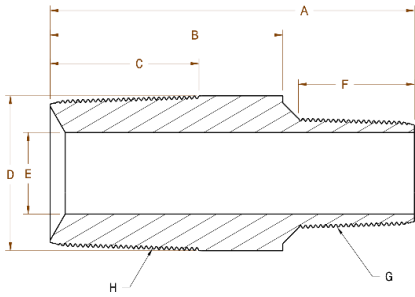
*7" LF CASING THREAD

SWAGE NPT X 8RD



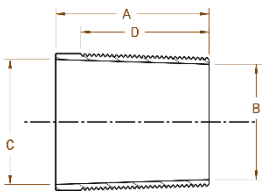
SIZE	A	B	C	D	E	F	G	H	RATING	WT
6"X4"	11.00"	NA	2.25"	7.10"	4.00"	3.75"	8RD	NPT	1000 PSI	16.4 lbs.
4"x3"	9.00"	NA	2.13"	4.80"	3.00"	3.38"	8RD	NPT	1000 PSI	5.6 lbs.
4"x2.5"	9.00"	NA	2.13"	4.80"	2.43"	3.13"	8RD	NPT	1000 PSI	6.5 lbs.
4"x2"	9.00"	NA	2.13"	4.80"	2.00"	2.81"	8RD	NPT	1000 PSI	7.6 lbs.
3"x2.5"	9.00"	NA	2.00"	3.80"	2.43"	3.13"	8RD	NPT	1500 PSI	3.5 lbs.
3"x2"	9.00"	NA	2.00"	3.80"	2.00"	2.81"	8RD	NPT	1500 PSI	4.4 lbs.
2.5"x2"	9.00"	NA	2.00"	3.12"	2.00"	2.81"	8RD	NPT	2000 PSI	4.4 lbs.

SWAGE NPT



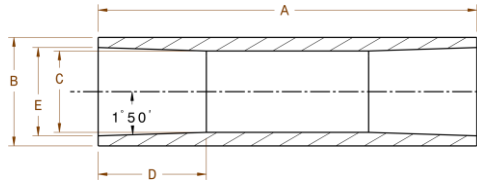
SIZE	A	B	C	D	E	F	G	H	RATING	WT
6"X4"	11.00"	NA	2.25"	7.10"	4.00"	2.13"	NPT	NPT	1000 PSI	16.4 lbs.
4"x3"	9.00"	NA	2.13"	4.80"	3.00"	2.00"	NPT	NPT	1000 PSI	5.6 lbs.
4"x2.5"	9.00"	NA	2.13"	4.80"	2.43"	2.00"	NPT	NPT	1000 PSI	6.5 lbs.
4"x2"	9.00"	NA	2.13"	4.80"	2.00"	1.38"	NPT	NPT	1000 PSI	7.6 lbs.
3"x2.5"	9.00"	NA	2.00"	3.80"	2.43"	2.00"	NPT	NPT	1500 PSI	3.5 lbs.
3"x2"	9.00"	NA	2.00"	3.80"	2.00"	1.38"	NPT	NPT	1500 PSI	4.4 lbs.
2.5"x2"	9.00"	NA	2.00"	3.12"	2.00"	1.38"	NPT	NPT	2000 PSI	2.4 lbs.

FIELD THREAD 8RD



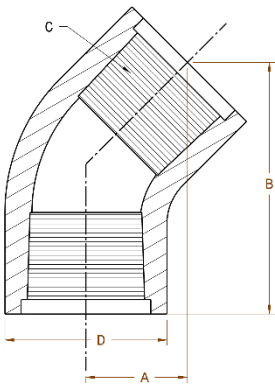
SIZE/PRESSURE	A	B	C	D
2" 1500#	3.750"	2.240"	2.000"	2.813"
2" 2250#	3.750"	2.280"	2.040"	2.813"
2" 2500#	3.750"	2.340"	2.100"	2.813"
2 1/2" 1500#	4.000"	2.700"	2.444"	3.125"
2 1/2" 2250#	4.000"	2.810"	2.554"	3.125"
2 1/2" 2500#	4.000"	2.850"	2.594"	3.125"
3" 1000#	4.250"	3.008"	3.280"	3.375"
3" 1500#	4.250"	3.300"	3.028"	3.375"
3" 2250#	4.250"	3.460"	3.188"	3.375"
3" 2500#	4.250"	3.520"	3.248"	3.375"
4" 1000#	4.500"	4.330"	4.042"	3.750"
4" 1500#	4.500"	4.380"	4.092"	3.750"
4" 2250#	4.500"	4.500"	4.212"	3.750"
4" 2500#	4.750"	4.640"	4.336"	4.000"
6" 1000#	4.750"	6.280"	5.976"	4.000"
6" 1500#	4.750"	6.480"	6.176"	4.000"
6" 2000#	4.750"	6.800"	6.496"	4.000"
6" 2500#	5.000"	6.900"	6.580"	4.250"
6 5/8" 2000#	4.750"	6.240"	5.936"	4.000"

REPAIR COUPLING



SIZE/PRESSURE	A	B	C	D	E	WEIGHT
2" 1500#	14"	3.250"	2.000"	3.750"	2.240"	4.9 LBS
2" 2250#	14"	3.250"	2.040"	3.750"	2.280"	4.9 LBS
2" 2500#	14"	3.250"	2.100"	3.750"	2.340"	4.9LBS
2 1/2" 1500#	14"	3.800"	2.444"	4.000"	2.700"	6.4 LBS.
2 1/2" 2250#	14"	3.800"	2.554"	4.000"	2.810"	6.4 LBS.
2 1/2" 2500#	14"	3.800"	2.594"	4.000"	2.850"	6.4 LBS.
3" 500#	14"	3.800"	3.300"	2.500"	3.510"	4.6 LBS.
3" 1000#	14"	3.800"	3.008"	3.125"	3.280"	4.6 LBS.
3" 1500#	14"	4.750"	3.028"	4.250"	3.300"	10.2 LBS.
3" 2250#	14"	4.750"	3.188"	4.250"	3.460"	10.2 LBS.
3" 2500#	14"	4.750"		4.250"		10.2 LBS.
4" 500#	14"	4.800"	4.310"	2.625"	4.510"	6.0 LBS.
4" 1000#	14"	4.800"	4.042"	4.500"	4.330"	6.0 LBS.
4" 1500#	14"	5.750"	4.092"	4.500"	4.380"	12.8 LBS.
4" 2250#	14"	5.750"	4.212"	4.500"	4.500"	12.8 LBS.
4" 2500#	14"	5.750"	4.336"	4.750"	4.640"	12.8 LBS.
6" 500#	14"	7.200"	6.350"	2.875	6.610"	14.6 LBS.
6" 1000#	14"	7.200"	5.976"	4.750"	6.280"	14.6 LBS.
6"1500#	14"	8.200"	6.176"	4.750"	6.480"	24.5 LBS.
6" 2000#	14"	8.200"	6.496"	4.750"	6.800"	24.5 LBS.

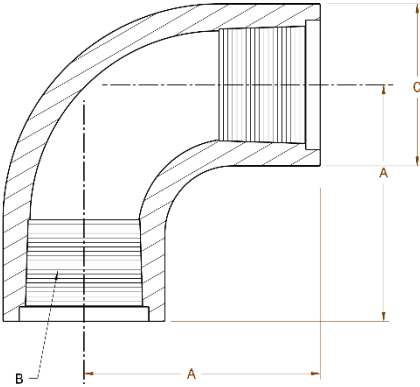
45 DEGREE ELBOW



SIZE	A	B	C	D	WEIGHT
2"	3 1/4"	7 3/16"	8RD	4 3/4"	3.5 lbs.
2 1/2"	3 1/4"	7 3/8"	8RD	5 5/16"	4.5 lbs.
3"	3 3/4"	8 1/2"	8RD	6"	7.0 lbs.
4"	4 1/8"	9 11/16"	8RD	6 7/8"	8.0 lbs.
*6"	4 5/8"	11 7/16"	8RD	10 5/8"	21.0 lbs.

*7" LF CASING THREAD

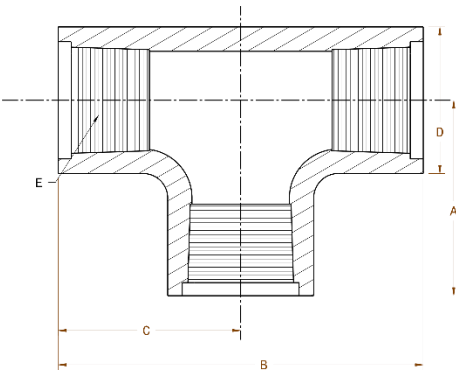
90 DEGREE ELBOW



SIZE	A	B	C	WEIGHT
2"	5 1/2"	8RD	4 5/8"	9.0 lbs.
2 1/2"	6"	8RD	5 1/2"	13.0 lbs.
3"	6 3/4"	8RD	5 3/4"	15.0 lbs.
4"	8"	8RD	6 3/4"	24.0lbs.
*6"	9 3/4"	8RD	10 1/4"	59.0 lbs.

*7" LF CASING THREAD

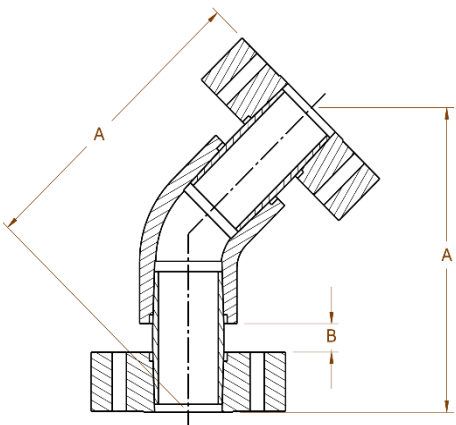
TEE



SIZE	A	B	C	D	E	RATING	WT.
2"	6 3/8"	11 3/4"	5 7/8"	5 1/2"	8RD	2500 PSI	21 LBS
2 1/2"	6 7/8"	12 1/2"	6 3/16"	5 7/8"	8RD	2500 PSI	26 LBS
3"	7 7/16"	13 3/8"	6 5/8"	6 3/8"	8RD	2500 PSI	29 LBS
4"	8 3/16"	6 15/16"	6 15/16"	7 3/4"	8RD	2500 PSI	40 LBS
*6"	9 11/16"	19 3/4"	9 13/16"	11 1/8"	8RD	2000 PSI	100 LBS

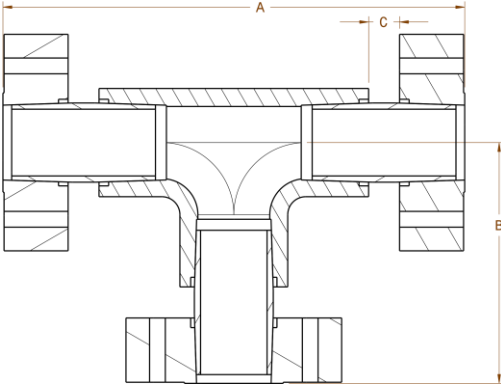
*7" LF CASING THREAD

FLANGED 45 DEGREE ELBOW



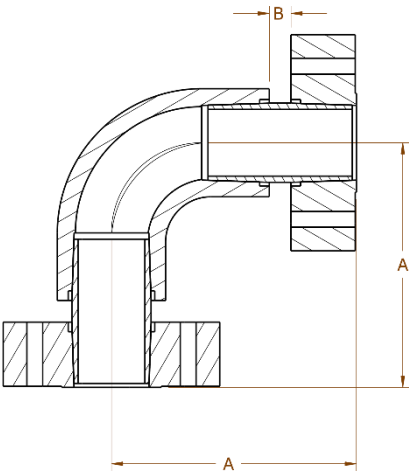
SIZE	A	B	WEIGHT
2"	14 3/8"	1/2"	31.6 lbs.
2 1/2"	15 1/8"	1/2"	40.4 lbs.
3"	16.75"	1/2"	43.4 lbs.
4"	18 5/8"	1/2"	92.0 lbs.
6"	21 5/8"	3/4"	159.0 lbs.

FLANGED TEE



SIZE	A	B	C	RATING	WT.
2"	18.95"	9.975"	1/2"	2500 PSI	58.2 LBS
2 1/2"	20.25"	10.75"	1/2"	2500 PSI	74.0 LBS
3"	21.63"	11.56"	1/2"	2500 PSI	80.4 LBS
4"	12.69"	23.00"	1/2"	2500 PSI	126.2 LBS
6"	30.00"	14.19"	3/4"	2000 PSI	243.0 LBS

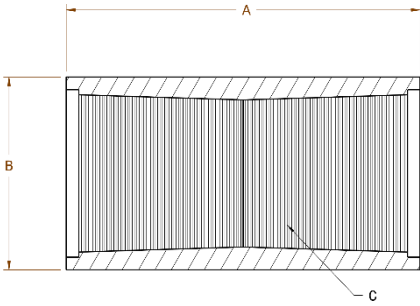
FLANGED 90 DEGREE ELBOW



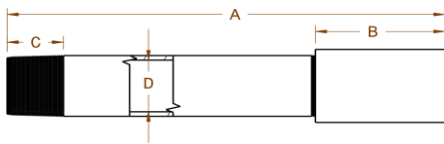
SIZE	A	B	WEIGHT
2"	9 1/8"	1/2"	33.0 lbs.
2 1/2"	9 7/8"	1/2"	42.3 lbs.
3"	10 7/8"	1/2"	45.1 lbs.
4"	12 1/2"	1/2"	76.8 lbs.
6"	14 7/8"	3/4"	156.5 lbs.

DOWN HOLE TUBING COUPLING 8RD

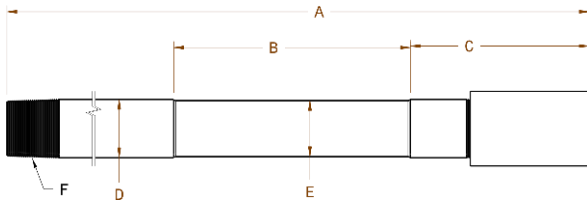
SIZE	A	B	C	RATING	WEIGHT
2 3/8"	6.88"	3.25"	*2 3/8" EUE 8RD	2000 PSI	2.0 LBS
2 7/8"	7.38"	3.80"	*2 7/8" EUE 8RD	2000 PSI	2.7 LBS
3 1/2"	7.88"	4.60"	*3 1/2" EUE 8RD	2000 PSI	4.8 LBS
4 1/2"	8.38"	5.75"	*4 1/2" EUE 8RD	2000 PSI	6.3 LBS



DOWNHOLE TUBING PUP JOINT



SIZE	A	B	C	D	RATING
2 3/8"	2'-10'	6.88"	2.813"	2.00"	2000 PSI
2 7/8"	2'-10'	7.38"	3.125"	2.43"	2000 PSI
3 1/2"	2'-10'	7.88"	3.375"	3.00"	2000 PSI
4 1/2"	2'-10'	8.38"	3.750"	4.00"	2000 PSI

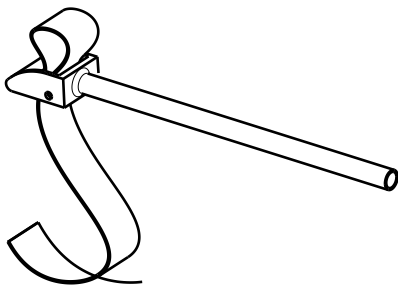


DOWNHOLE TUBING LANDING JOINT

SIZE	A	B	C	D	E	F
2 3/8"	4'	15"	12"	2.65"	2.375"	*EUE 8RD
2 7/8"	4'	15"	12"	3.12"	2.875"	*EUE 8RD
3 1/2"	4'	15"	12"	3.80"	3.500"	*EUE 8RD
4 1/2"	4'	15"	12"	4.80"	4.500"	*EUE 8RD

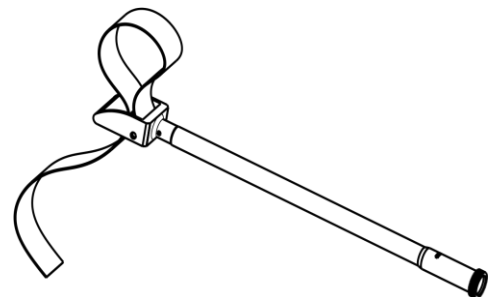
FACT FIELD ACCESSORIES

FACT BACK UP STRAP WRENCH



BACK UP STRAP WRENCH
FOR FACT PIPE SIZES 2"-6"

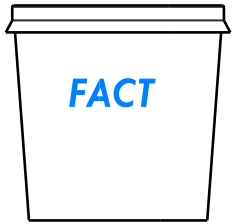
FACT STRAP TORQUE WRENCH



FACT TORQUE WRENCHES

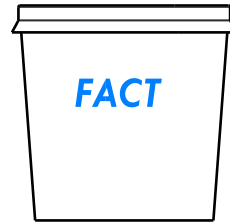
2"-3" FACT PIPE SIZES (300#)
4"-6" FACT PIPE SIZES (600#)

FACT LINE PIPE THREAD SEALANT



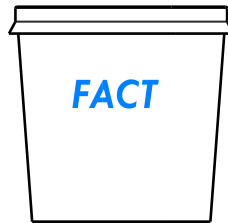
FACT line pipe thread sealant is a state of the art poly sulfide soft set thread sealant that will provide optimum sealing performance for fiberglass threads.

FACT DOWN HOLE TUBING SEALANT



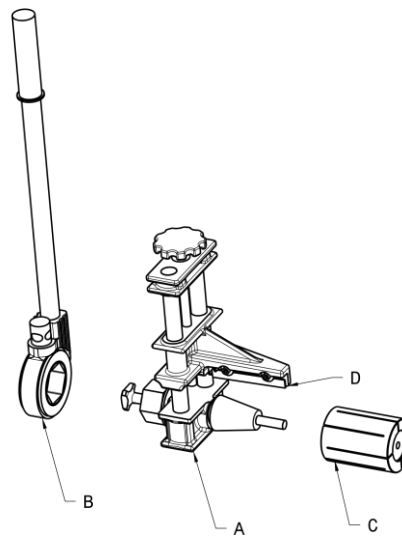
FACT down hole tubing thread sealant provides optimum sealing and make and break properties for fiberglass threads and resists galling.

FACT 2TPI THREAD SEALANT



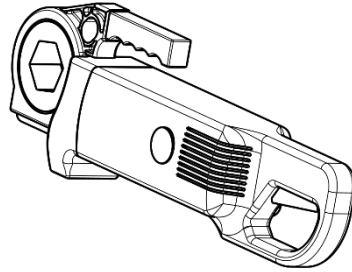
FACT 2TPI sealant is used for FACT 2 Thread Per Inch product (FFT) only. Not for the use of 8 round threads.

FACT TAPER MAKER KIT



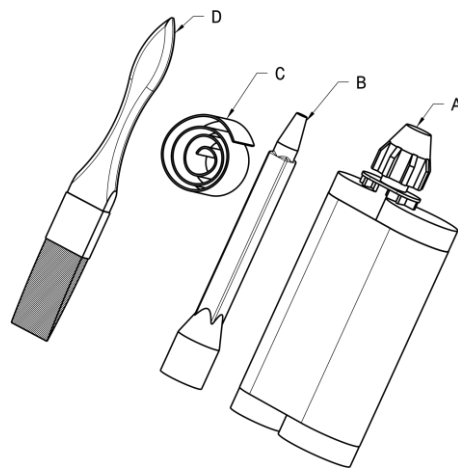
A	B	C	D
MANUAL RACHET	TAPER TOOL	COLLET (2"—6")	BLADE

FACT POWER DRIVER



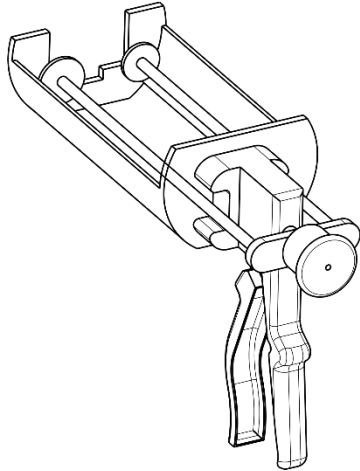
120 VAC POWER DRIVER FOR FACT TAPER MAKER

FACT ADHESIVE KIT

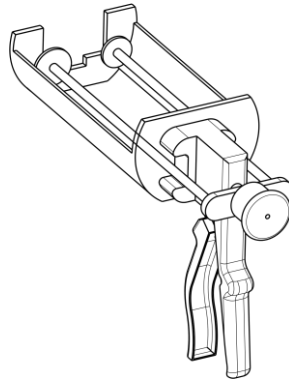


KIT SIZE	QUANTITY	PART NO.	A	B	C	D
400 ML	10/CASE	GK400	ADHESIVE	STATIC MIXER	SAND PAPER	BRUSH
200 ML	10/CASE	GK200	ADHESIVE	STATIC MIXER	SAND PAPER	BRUSH
50 ML	12/CASE	GK050	ADHESIVE	STATIC MIXER	SAND PAPER	BRUSH

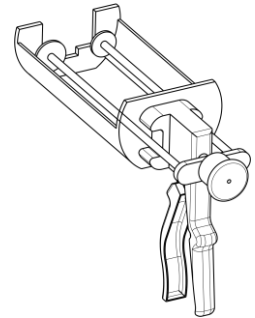
FACT ADHESIVE DISPENSER



400 ML
GK401

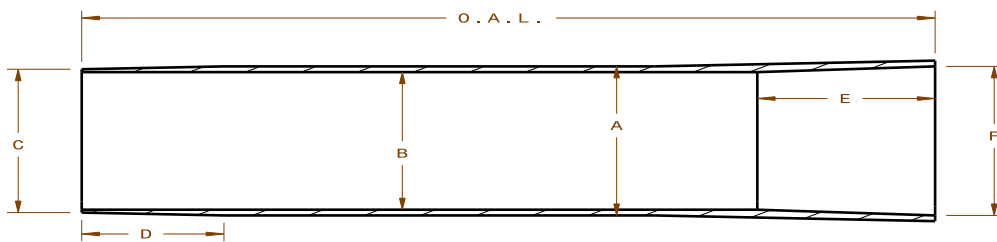


200 ML
GK201



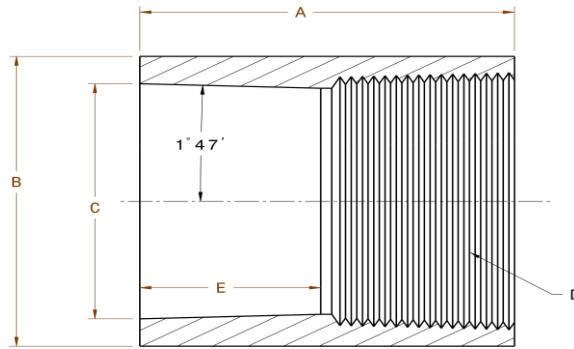
50 ML
GK051

FACT 500 PSI NPS BELL X SPIGOT IJ PIPE



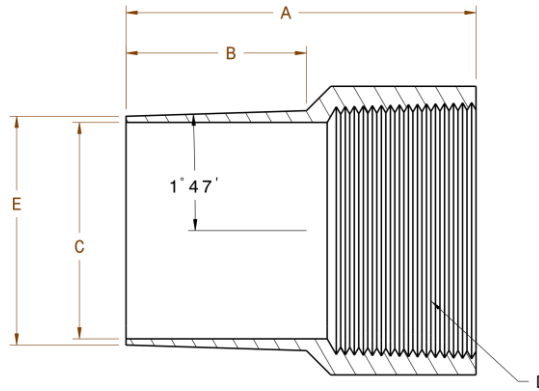
Size	A	B	C	D	E	F	OAL	WT/FT
2"	2.38"	2.21"	2.26"	2.25"	2.38"	2.38"	30'	.60 lbs.
3"	3.51"	3.30"	3.38"	2.38"	2.50"	3.51"	30'	1.12 lbs.
4"	4.52"	4.31"	4.38"	2.50"	2.63"	4.52"	30'	1.51 lbs.
6"	6.61"	6.32"	6.46"	2.88"	2.88"	6.61"	30'	2.87 lbs.
8"	8.65"	8.34"	8.45"	3.63"	3.75"	8.65"	30'	4.04 lbs.

FACT 500 PSI ADAPTER NPS BELL X FNPT



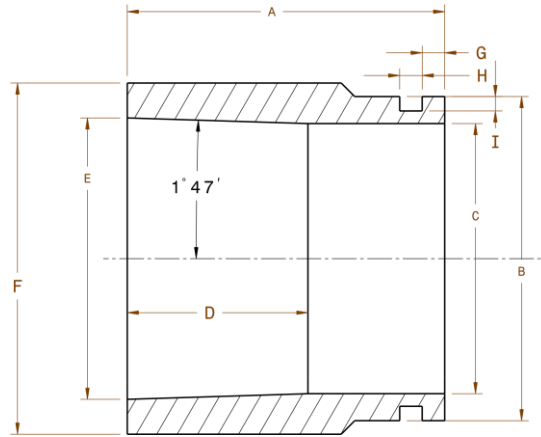
SIZE	A	B	C	D	E	WT/FT
2"	5.00"	2.70"	2.38"	NPT	2.38"	1.28 lbs.
3"	5.50"	3.80"	3.51"	NPT	2.50"	1.53 lbs.
4"	5.75"	4.80"	4.52"	NPT	2.63"	2.34 lbs.
6"	6.00"	7.00"	6.61"	NPT	2.88"	7.30 lbs.
8"	8.00"	9.00"	8.65"	NPT	3.75"	8.70 lbs.

FACT 500 PSI ADAPTER NPS SPIGOT X FNPT



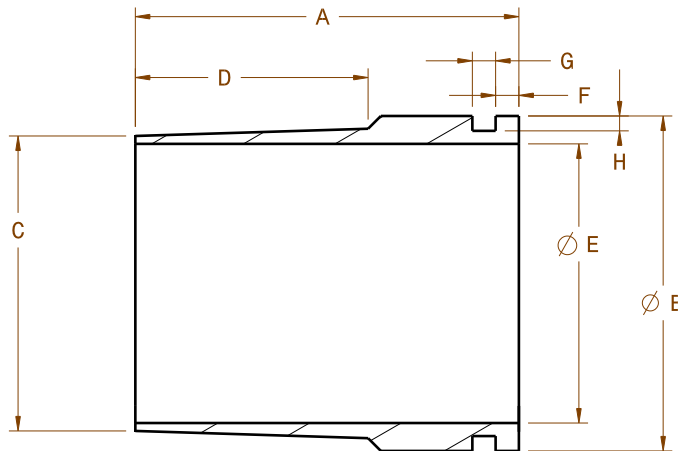
SIZE	A	B	C	D	E	WT/FT
2"	5.00"	2.38"	2.00"	NPT	2.26"	1.20 lbs.
3"	5.50"	2.50"	3.00"	NPT	3.38"	1.50 lbs.
4"	5.75"	2.63"	4.00"	NPT	4.38"	2.30 lbs.
6"	6.00"	2.88"	5.90"	NPT	6.46"	7.25 lbs.
8"	8.00"	3.75"	7.90"	NPT	8.45"	8.70 lbs.

FACT 500 PSI ADAPTER NPS BELL X GROOVE



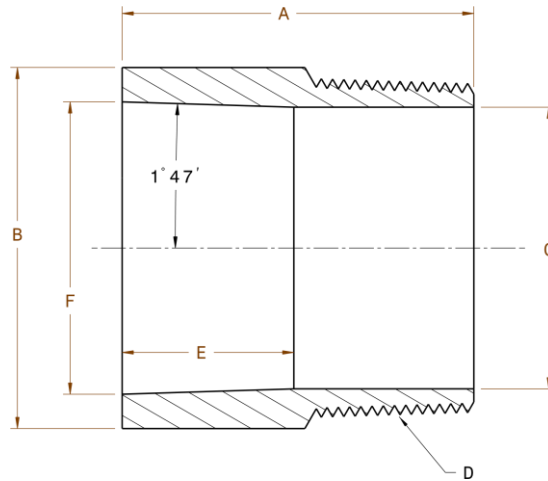
SIZE	A	B	C	D	E	F	G	H	I	WEIGHT
2"	4.50"	2.375+/- .024	2.00"	2.38"	2.38"	2.70"	.562+/- .010	.255+/- .005	.062 +/- .007	1.28 lbs.
3"	5.00"	3.500+/- .031	3.00"	2.50"	3.51"	3.80"	.562+/- .010	.255+/- .005	.078 +/- .009	1.53 lbs.
4"	5.50"	4.500+/- .031	4.00"	2.63"	4.52"	4.80"	.605+/- .010	.305+/- .005	.078 +/- .010	2.34 lbs.
6"	7.00"	6.625+/- .031	5.90"	2.88"	6.61"	7.00"	.605+/- .015	.305+/- .005	.085 +/- .011	7.30 lbs.
8"	7.50"	8.625+/- .031	7.90"	3.75"	8.65"	9.00"	.714+/- .015	.400+/- .010	.092+/- .012	8.70 lbs.

FACT 500 PSI NPS SPIGOT X GROOVE



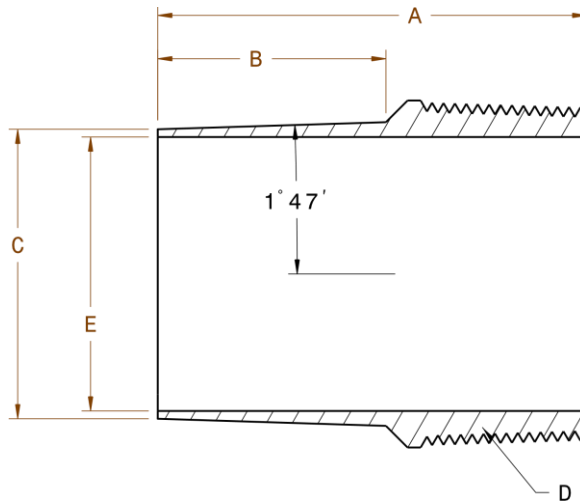
SIZE	A	B	C	D	E	F	G	H	WEIGHT
2"	4.50"	2.375+/- .024	2.26"	2.38"	2.00"	.562+/- .010	.255+/- .005	.062 +/- .007	1.20 lbs.
3"	5.00"	3.500+/- .031	3.38"	2.50"	3.00"	.562+/- .010	.255+/- .005	.078 +/- .009	1.50 lbs.
4"	5.50"	4.500+/- .031	4.38"	2.63"	4.00"	.605+/- .010	.305+/- .005	.078 +/- .010	2.30 lbs.
6"	7.00"	6.625+/- .031	6.46"	2.88"	5.90"	.605+/- .015	.305+/- .005	.085 +/- .011	7.25 lbs.
8"	9.00"	8.625+/- .031	8.45"	3.75"	7.90"	.714+/- .015	.400+/- .010	.092+/- .012	8.70 lbs.

FACT 500 PSI ADAPTER NPS BELL X MNPT



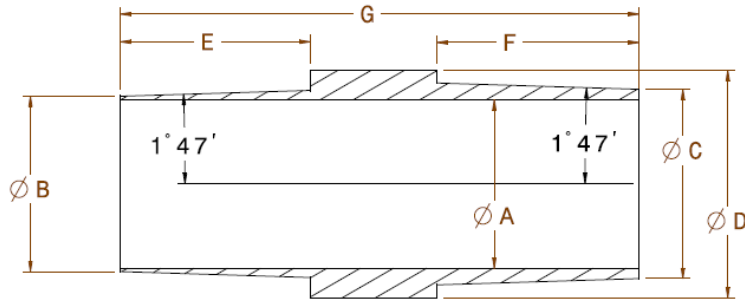
SIZE	A	B	C	D	E	F	WEIGHT
2"	5.00"	2.70"	2.00"	NPT	2.38"	2.38"	1.28 lbs.
3"	5.50"	3.80"	3.00"	NPT	2.50"	3.51"	1.53 lbs.
4"	5.75"	4.80"	4.00"	NPT	2.63"	4.52"	2.34 lbs.
6"	6.00"	7.00"	5.90"	NPT	2.88"	6.61"	7.30 lbs.
8"	8.00"	9.00"	7.90"	NPT	3.75"	8.65"	8.73 lbs.

FACT 500 PSI ADAPTER NPS SPIGOT X MNPT



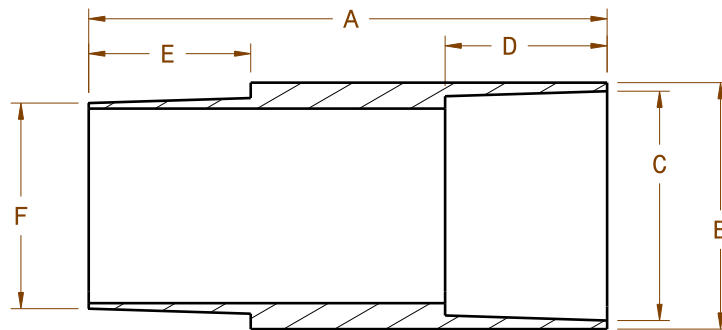
SIZE	A	B	C	D	E	WEIGHT
2"	5.00"	2.38"	2.26"	NPT	2.00"	1.20 lbs.
3"	5.50"	2.50"	3.38"	NPT	3.00"	1.50 lbs.
4"	5.75"	2.63"	4.38"	NPT	4.00"	2.30 lbs.
6"	6.00"	2.88"	6.46"	NPT	5.90"	7.25 lbs.
8"	8.00"	3.75"	8.45"	NPT	7.90"	8.70 lbs.

FACT 500 PSI C/O NIPPLE



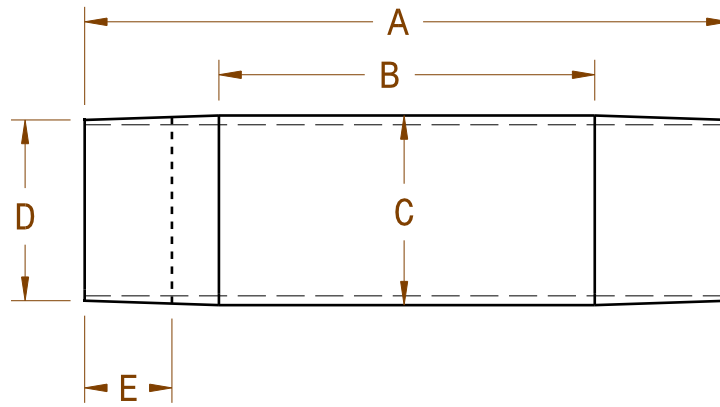
SIZE	A	B	C	D	E	F	G
		FACT	NOV				
2"	2.00"	2.13"	2.26"	2.70"	2.00"	2.25"	5.5"
3"	3.00"	3.17"	3.38"	3.80"	2.25"	2.50"	6.0"
4"	4.00"	4.20"	4.48"	4.80"	2.50"	2.75"	6.5"
6"	5.90"	6.09"	6.46"	7.00"	3.50"	3.75"	8.0"

FACT 500 PSI C/O ADAPTER



Size	A	B	C	D	E	F
			NOV			FACT
2"	8.00"	2.70"	2.38"	2.38"	2.00"	2.13"
3"	8.00"	3.80"	3.51"	2.50"	2.25"	3.17"
4"	8.00"	4.80"	4.52"	2.63"	2.50"	4.20"
6"	9.00"	7.00"	6.61"	2.88"	3.50"	6.09"

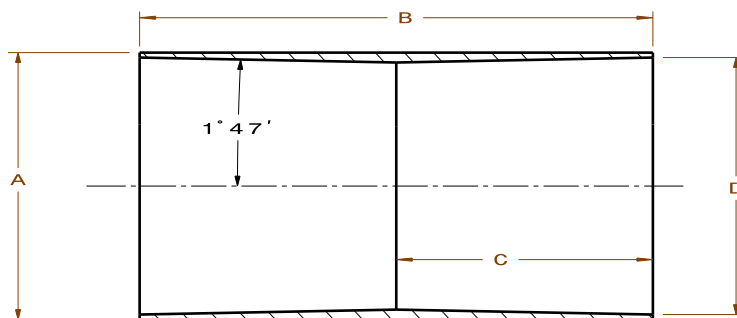
FACT 500 PSI NIPPLE NPS SPIGOT X SPIGOT



- (A) OVERALL LENGTH
- (B) ENGAGED LENGTH
- (E) MINIMUM ABRAIDED LENGTH

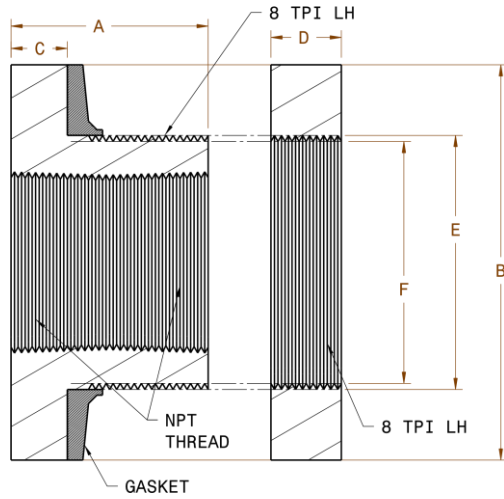
SIZE	A	B	A	B	A	B	A	B	C	D	E
2"	4.25"	1.00"	5.25"	2.00"	7.25"	4.00"	9.25"	6.00"	2.22"	2.26"	1.63"
3"	4.75"	1.00"	5.75"	2.00"	7.75"	4.00"	9.75"	6.00"	3.28"	3.38"	1.88"
4"	5.25"	1.00"	6.25"	2.00"	8.25"	4.00"	10.25"	6.00"	4.33"	4.38"	2.13"
6"	7.75"	1.00"	8.75"	2.00"	10.75"	4.00"	12.75"	6.00"	6.28"	6.46"	3.38"
8"									8.65"	8.45"	

FACT 500 PSI COUPLING NPS BELL X BELL



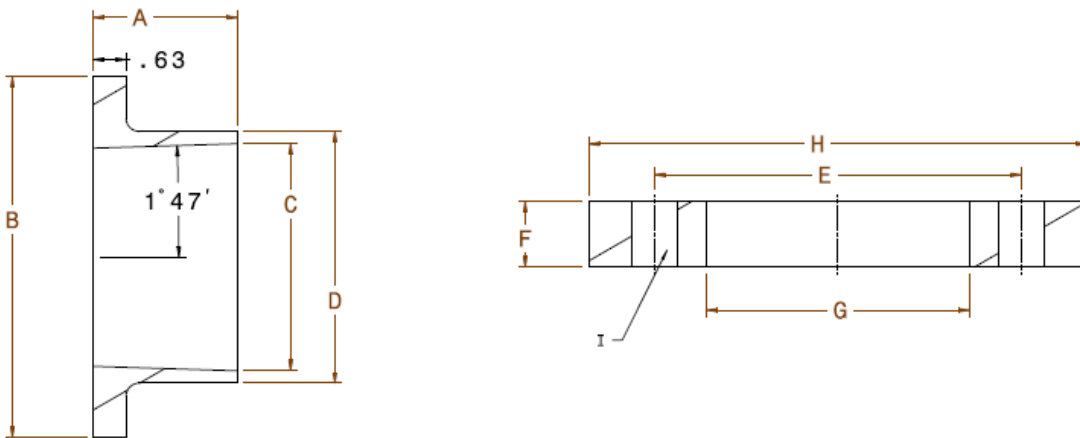
SIZE	A	B	C	D	WEIGHT
2"	2.70"	5.00"	2.38"	2.38"	.41 lbs.
3"	3.80"	5.50"	2.50"	3.51"	1.11 lbs.
4"	4.80"	5.75"	2.63"	4.52"	1.36 lbs.
6"	7.00"	6.00"	2.88"	6.61"	2.35 lbs.
8"	9.00"	8.00"	3.75"	8.65"	

FACT BULKHEAD FITTING W/GASKET



SIZE	A	B	C	D	E	F	WEIGHT
2"	4.00"	4.80"	1.25"	1.25"	3.50"	3.06"	3.40 Lbs.
3"	4.00"	6.10"	1.25"	1.25"	4.50"	4.36"	4.00 Lbs.
4"	4.00"	7.10"	1.25"	1.25"	5.50"	5.36"	6.40 Lbs.
6"	4.00"	9.00"	1.25"	1.25"	7.50"	7.36"	8.50 Lbs.

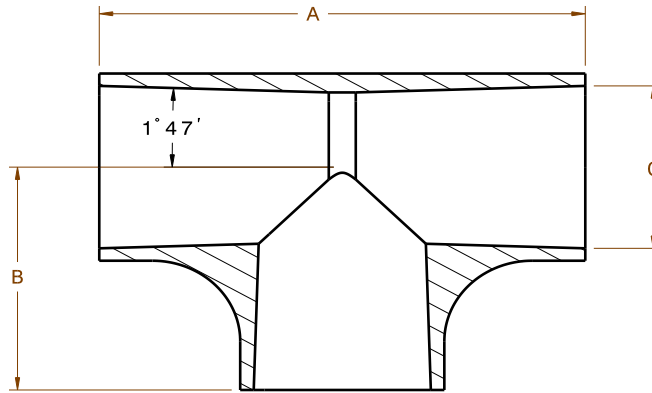
FACT NPS STUB FLANGE ANSI 150



SIZE	A	B	*C		D	E	F	G	H	I
			FACT	NOV						
2"	2.75"	3.63"	2.22"	2.38"	2.70"	4.75"	1.00"	2.75"	6.00"	4-3/4"
3"	3.00"	5.00"	3.28"	3.51"	3.80"	6.00"	1.00"	3.85"	7.50"	4-3/4"
4"	3.25"	6.19"	4.33"	4.52"	4.80"	7.50"	1.00"	4.85"	9.00"	8-3/4"
6"	3.75"	8.50"	6.28"	6.61"	7.00"	9.50"	1.00"	7.05"	11.00"	8-7/8"
8"				8.65"						

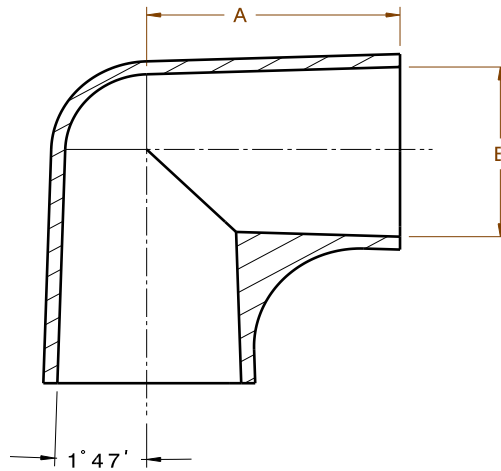
*SPECIFY CONNECTION FACT OR NOV

FACT 500 PSI TEE NPS BELL X BELL X BELL



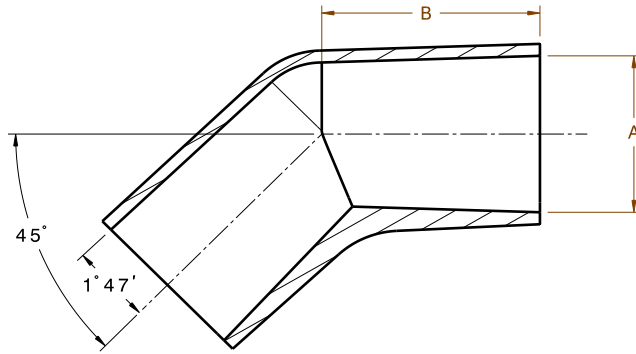
SIZE	A	B	C	RATING	WEIGHT
2"	8.00"	4.00"	2.38"	500 PSI	2.4 LBS
3"	9.49"	4.44"	3.51"	500 PSI	4.6 LBS
4"	11.10"	5.20"	4.52"	500 PSI	6.5 LBS
6"	14.56"	6.90"	6.61"	500 PSI	12.0 LBS.
8"			8.65"		

FACT 500 PSI 90 DEGREE ELBOW NPS BELL X BELL



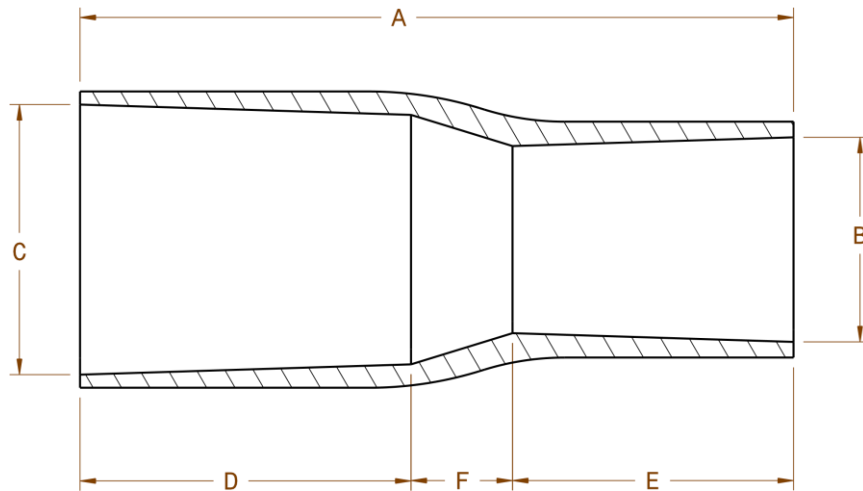
SIZE	A	B	RATING	WEIGHT
2"	3.520"	2.380"	500 PSI	1.5 LBS.
3"	4.470"	3.510"	500 PSI	2.4 LBS.
4"	5.270"	4.520"	500 PSI	4.0 LBS.
6"	6.860"	6.610"	500 PSI	10.0 LBS
8"		8.650"	500 PSI	

FACT 500 PSI 45 DEGREE ELBOW NPS BELL X BELL



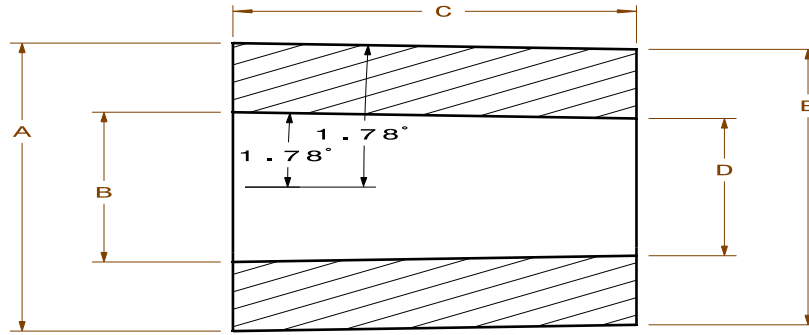
SIZE	A	B	RATING	WEIGHT
2"	2.380"	3.520"	500 PSI	1.5 LBS.
3"	3.510"	4.470"	500 PSI	2.4 LBS.
4"	4.520"	5.270"	500 PSI	4.0 LBS.
6"	6.610"	6.860"	500 PSI	7.0 LBS.
8"	8.650"			

FACT 500 PSI CONCENTRIC NPS BELL REDUCER



SIZE	A	B	C	D	E	F	WEIGHT
3" X 2"	9.90"	2.38"	3.51"	4.50"	3.75"	1.65"	2.6 LBS.
4" X 3"	11.43"	3.51"	4.52"	5.30"	4.50"	1.63"	8.2 LBS.
6" X 4"	15.21"	4.52"	6.61"	6.90"	5.30"	3.00"	13.8 LBS.
8" X 6"		6.61"	8.65"				

FACT 500 PSI NPS REDUCING BUSHING



SIZE	A	B	C	D	E	WT
3" X 2"	3.51"	2.38"	2.38"	2.00"	3.38"	.60 LBS.
4" X 3"	4.52"	3.51"	2.50"	3.00"	4.38"	1.2 LBS.
4" X 2"	4.52"	2.38"	2.50"	2.00"	4.38"	1.8 LBS.
6" X 4"	6.61"	4.52"	2.75"	4.00"	6.46"	5.2 LBS.
8" x 6"	8.65"	6.61"	3.63"	5.90"	8.45"	